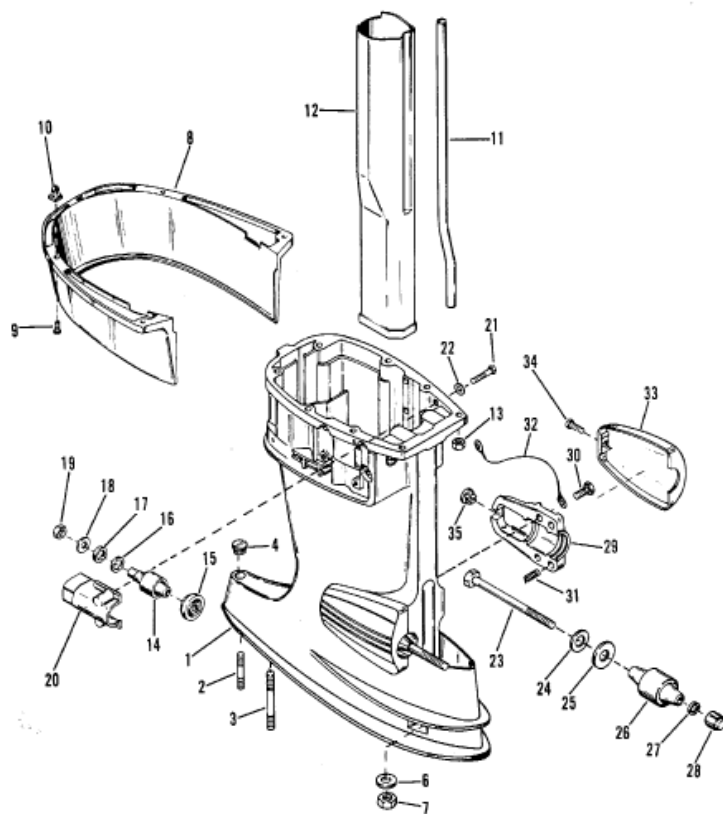


DRIVE SHAFT HOUSING



Parts List

Ref	Class	Part	Description	Qty	Comment	Footnote
1	1593	8189A12	DRIVESHAFT HOUSING	1		
2	16	57932	STUD, DRIVE SHAFT HOUSING	1		
3	16	57935	STUD, DRIVE SHAFT HOUSING	1		
4	19	64649	PLUG, PLASTIC WATER PICK-UP	1		
6	12	65791	WASHER, GEAR HOUSING STUC	2		
7	11	34933	NUT, GEAR HOUSING STUDS	2		
8		60769	COVER, TRIM-DRIVE SHAFT HOL	1		
9	10	57807	SCREW, TRIM COVER TO DRIVE	4		
10	25	92012	GROMMET, TRIM COVER SCREW	4		
11	32	45679	TUBE, WATER OUTLET	1		
12		69544	TUBE, EXHAUST	1		
13	11	64809	NUT, POWERHEAD STUDS	8		
14		93904	MOUNT, RUBBER-UPPER	2		
15		96401	SEAL, BELLOWS-UPPER MOUNT	2		
16	12	27727	WASHER, UPPER MOUNT BOLT	2		
17	12	66966	WASHER, RUBBER-UPPER MOUN	2		
18	12	30514	WASHER, UPPER MOUNT BOLT	2		
19	11	34933	NUT, UPPER MONT BOLT	2		
20		87883T	COVER, UPPER MOUNT	2		
21	10	75284	SCREW, UPPER MOUNT COVER	4		
22	12	29245	WASHER, UPPER MOUNT COVE	4		
23	10	75284	SCREW, LOWER MOUNT SCREW	2		
24	12	28051	WASHER, LOWER MOUNT SCRE	2		
25	12	28053	WASHER, RUBBER OLD DESIG	2		
26		75302	MOUNT, RUBBER-LOWER	2		
27	12	30119	WASHER, LOWER MOUNT SCRE	2		
28	11	25096	NUT, LOWER MOUNT SCREW	2		
29		69592T	CLAMP, LOWER MOUNT TO DRP	2		
30	10	29256	SCREW, LOWER MOUNT CLAMP	4		
31	24	35522	SPRING, TENSION LOWER MOL	4		
32		88238A	GROUND CABLE	1		
33		35474T	COVER, LOWER MOUNT CLAMP	2		
34	10	87884	SCREW, COVER TO LOWER CLA	2		
35	11	35521	NUT, LOWER MOUNT CLAMP CC	2		